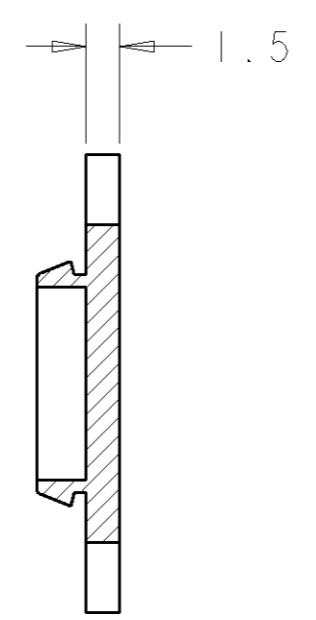
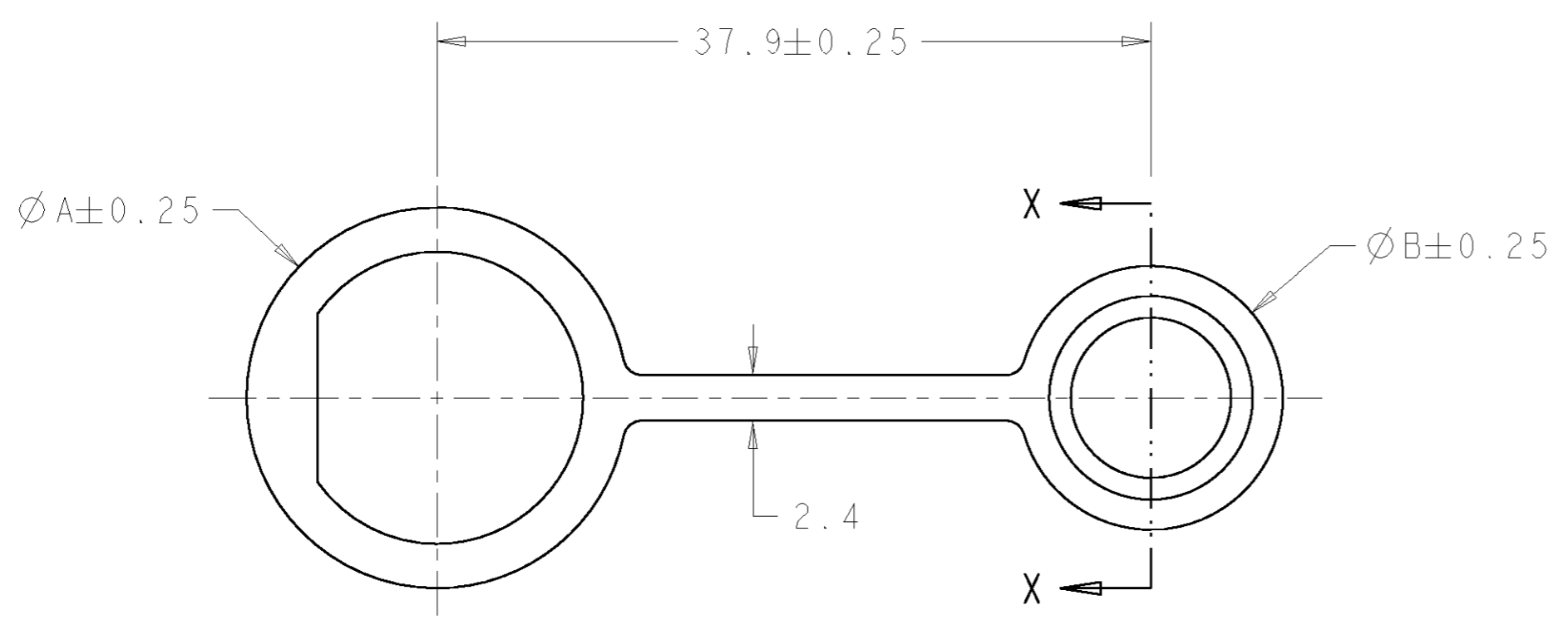
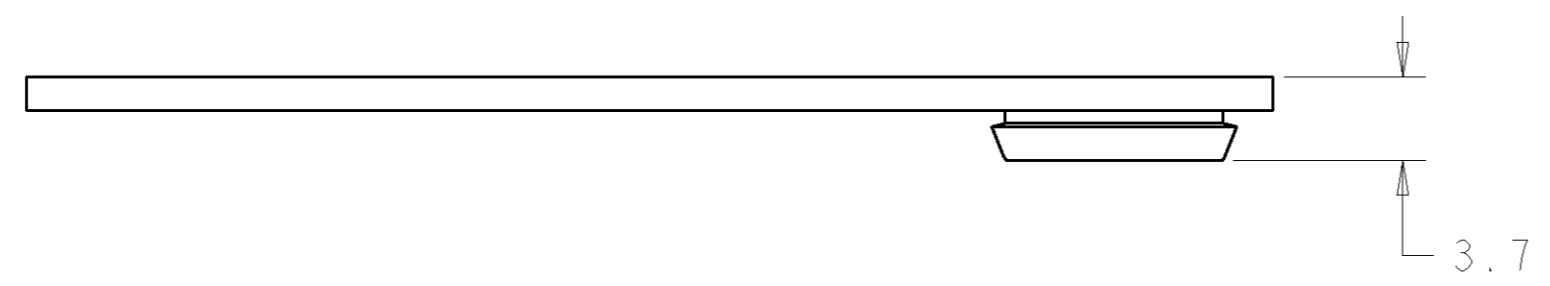


THIS DRAWING IS UNPUBLISHED. RELEASED FOR PUBLICATION 20
 © COPYRIGHT 20 BY TYCO ELECTRONICS CORPORATION. ALL RIGHTS RESERVED.

| LOC | DIST | REVISIONS | | | | | |
|-----|------|-----------|-----|--------------------------|-----------|-----|------|
| FT | 0 | P | LTR | DESCRIPTION | DATE | DWN | APVD |
| | | A | | RELEASED EC 063B-0362-03 | 18JUL2003 | SW | HW |
| | | | | | | | |
| | | | | | | | |



SECTION X-X

| | | | |
|-----------------|-----------------|------------|-------------|
| 18.7 | 22.6 | 11 | 1604089-2 |
| 14 | 20.2 | 8 | 1604089-1 |
| $\varnothing B$ | $\varnothing A$ | SHELL SIZE | PART NUMBER |

| | | | | | | | | | | | |
|--|----------------------------|------------------|---------------------|---|-----|-----------|-------|------------|---------|---------------|---|
| <small>THIS DRAWING IS A CONTROLLED DOCUMENT FOR TYCO ELECTRONICS CORPORATION. IT IS SUBJECT TO CHANGE AND THE CONTROLLING ENGINEERING ORGANIZATION SHOULD BE CONTACTED FOR THE LATEST REVISION.</small> | | DWN | 13FEB2002 | Tyco Electronics Harrisburg, PA 17105-3608 | | | | | | | |
| DIMENSIONS: mm | | CHK | 13FEB2002 | | | | | | | | |
| | | APVD | 18JUL2003 | | | | | | | | |
| TOLERANCES UNLESS OTHERWISE SPECIFIED: 0 PLC ± 1 PLC ±0.13 2 PLC ±0.13 3 PLC ± 4 PLC ± ANGLES ± FINISH ± | | NAME | CAP, DUST, MINI CPC | | | | | | | | |
| MATERIAL | ELASTOMER COLOR-BLACK - | PRODUCT SPEC | - | SIZE | A2 | CAGE CODE | 00779 | DRAWING NO | 1604089 | RESTRICTED TO | - |
| | | APPLICATION SPEC | - | SCALE | 3:1 | SHEET | 1 | OF | 1 | REV | A |
| | | WEIGHT | - | CUSTOMER DRAWING | | | | | | | |